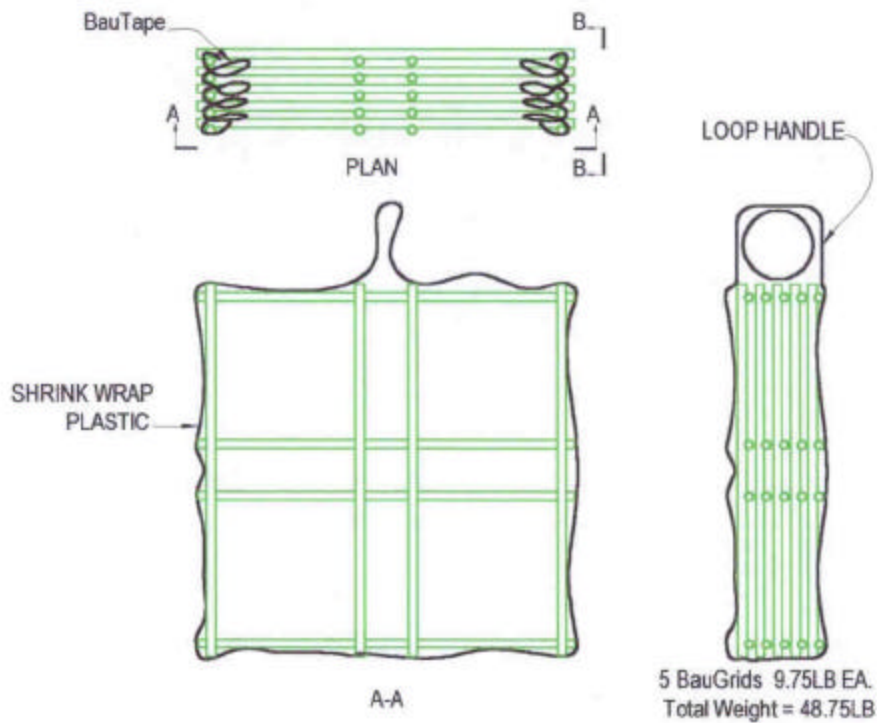


## BauBundler

The BauBundler has a BauMagFixture that uses magnetic force to move BauGrids into position and hold them in place at the desired spacing.

BauPositioner can then be attached to adjacent BauGrids. Also, BauMagTies can be slipped onto the BauGrids.

BauFabricForm can be attached which will act as both a form and a BauPositioner. The BauGrids can then be brought into a compact BauBundle and tagged and banded for compact shipment.



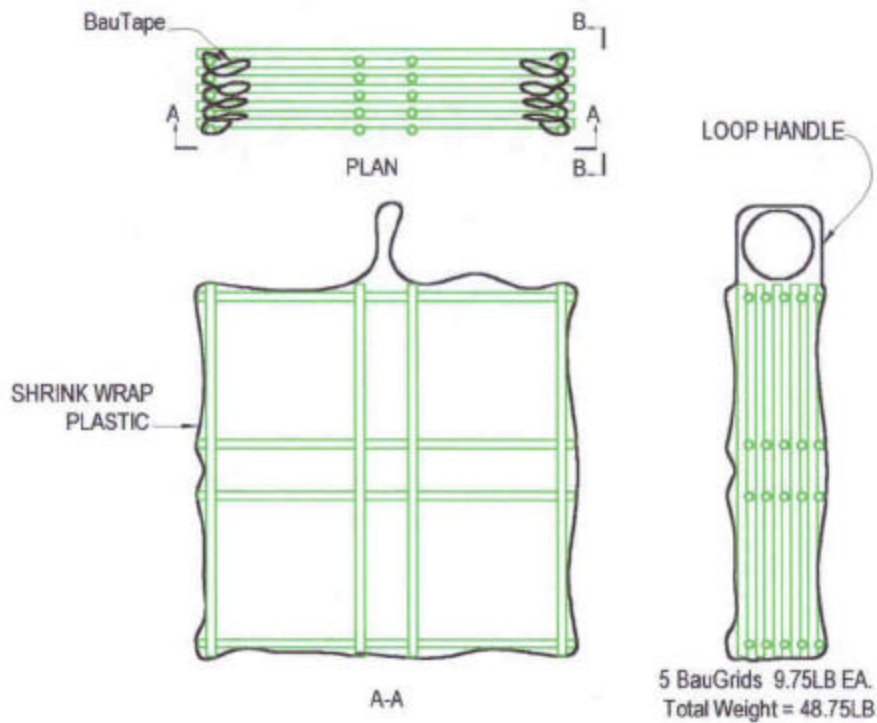
le

## BauBundler

The BauBundler has a BauMagFixture that uses magnetic force to move BauGrids into position and hold them in place at the desired spacing.

BauPositioner can then be attached to adjacent BauGrids. Also, BauMagTies can be slipped onto the BauGrids.

BauFabricForm can be attached which will act as both a form and a BauPositioner. The BauGrids can then be brought into a compact BauBundle and tagged and banded for compact shipment.



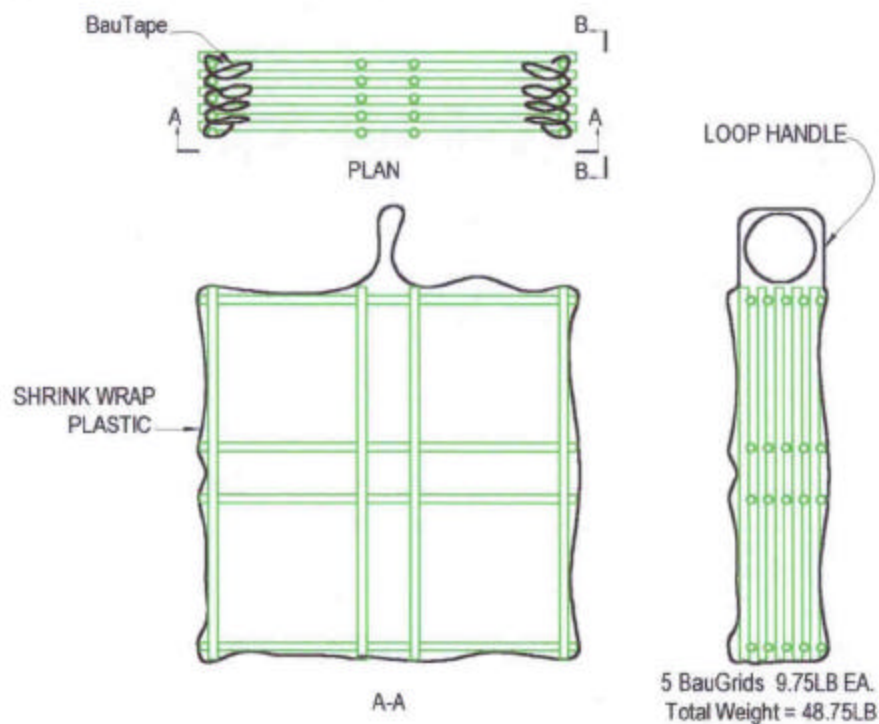
le  
2

## BauBundler

The BauBundler has a BauMagFixture that uses magnetic force to move BauGrids into position and hold them in place at the desired spacing.

BauPositioner can then be attached to adjacent BauGrids. Also, BauMagTies can be slipped onto the BauGrids.

BauFabricForm can be attached which will act as both a form and a BauPositioner. The BauGrids can then be brought into a compact BauBundle and tagged and banded for compact shipment.

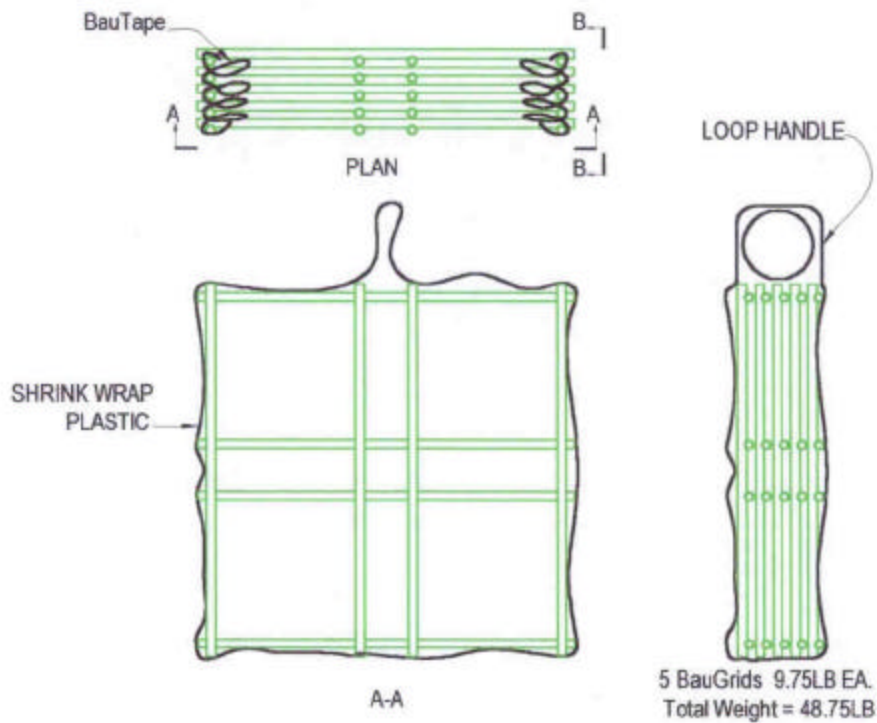


## BauBundler

The BauBundler has a BauMagFixture that uses magnetic force to move BauGrids into position and hold them in place at the desired spacing.

BauPositioner can then be attached to adjacent BauGrids. Also, BauMagTies can be slipped onto the BauGrids.

BauFabricForm can be attached which will act as both a form and a BauPositioner. The BauGrids can then be brought into a compact BauBundle and tagged and banded for compact shipment.



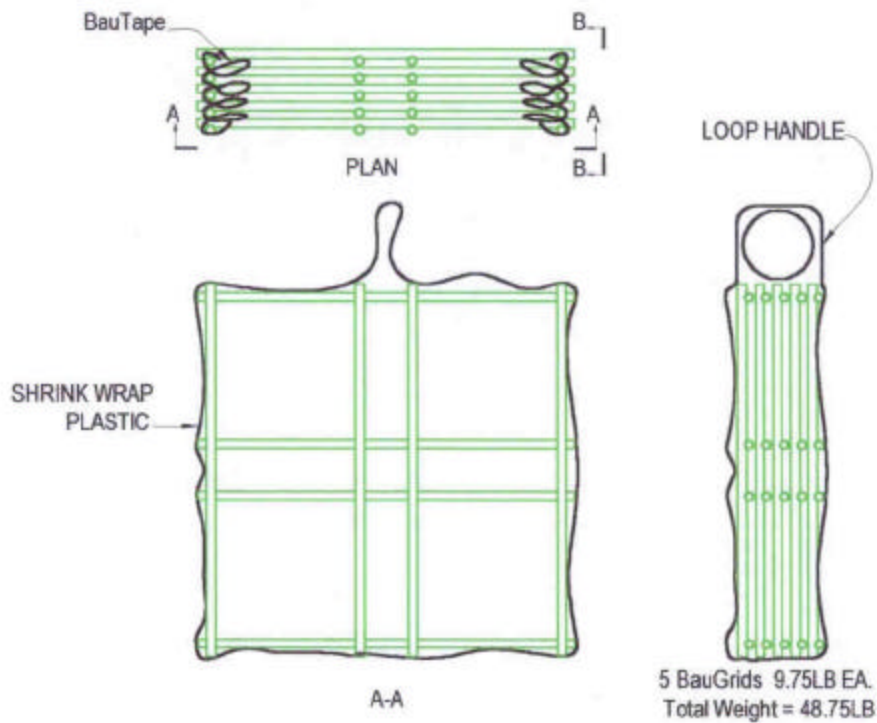
le

## BauBundler

The BauBundler has a BauMagFixture that uses magnetic force to move BauGrids into position and hold them in place at the desired spacing.

BauPositioner can then be attached to adjacent BauGrids. Also, BauMagTies can be slipped onto the BauGrids.

BauFabricForm can be attached which will act as both a form and a BauPositioner. The BauGrids can then be brought into a compact BauBundle and tagged and banded for compact shipment.



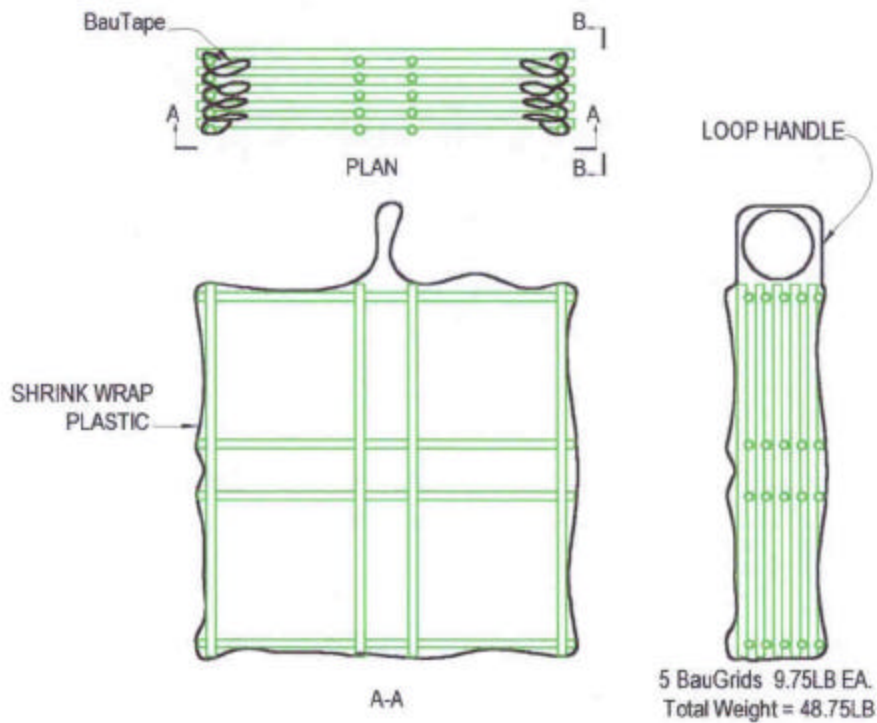
le

## BauBundler

The BauBundler has a BauMagFixture that uses magnetic force to move BauGrids into position and hold them in place at the desired spacing.

BauPositioner can then be attached to adjacent BauGrids. Also, BauMagTies can be slipped onto the BauGrids.

BauFabricForm can be attached which will act as both a form and a BauPositioner. The BauGrids can then be brought into a compact BauBundle and tagged and banded for compact shipment.



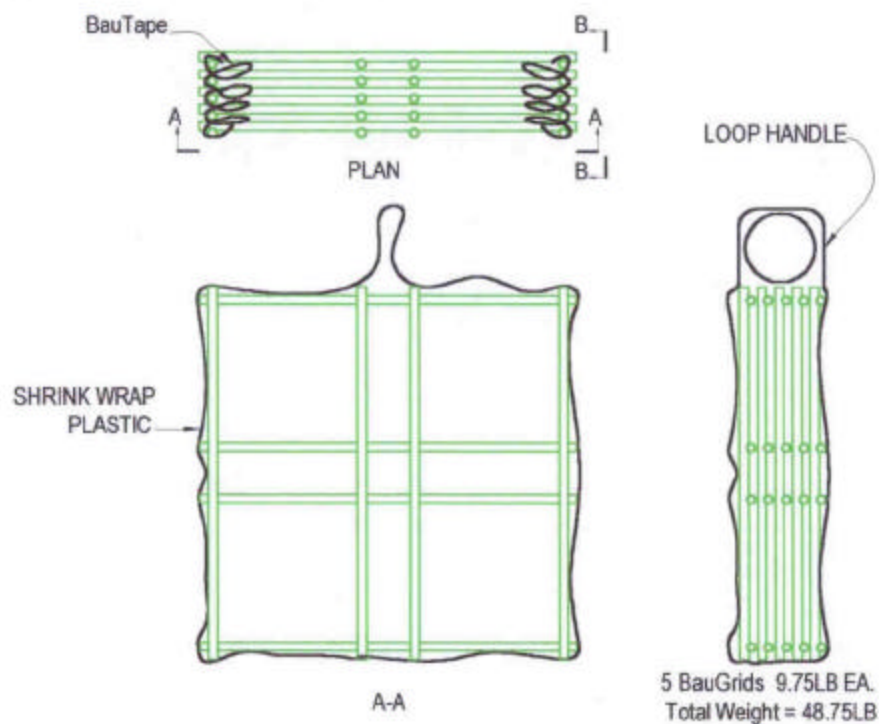
le  
2

## BauBundler

The BauBundler has a BauMagFixture that uses magnetic force to move BauGrids into position and hold them in place at the desired spacing.

BauPositioner can then be attached to adjacent BauGrids. Also, BauMagTies can be slipped onto the BauGrids.

BauFabricForm can be attached which will act as both a form and a BauPositioner. The BauGrids can then be brought into a compact BauBundle and tagged and banded for compact shipment.



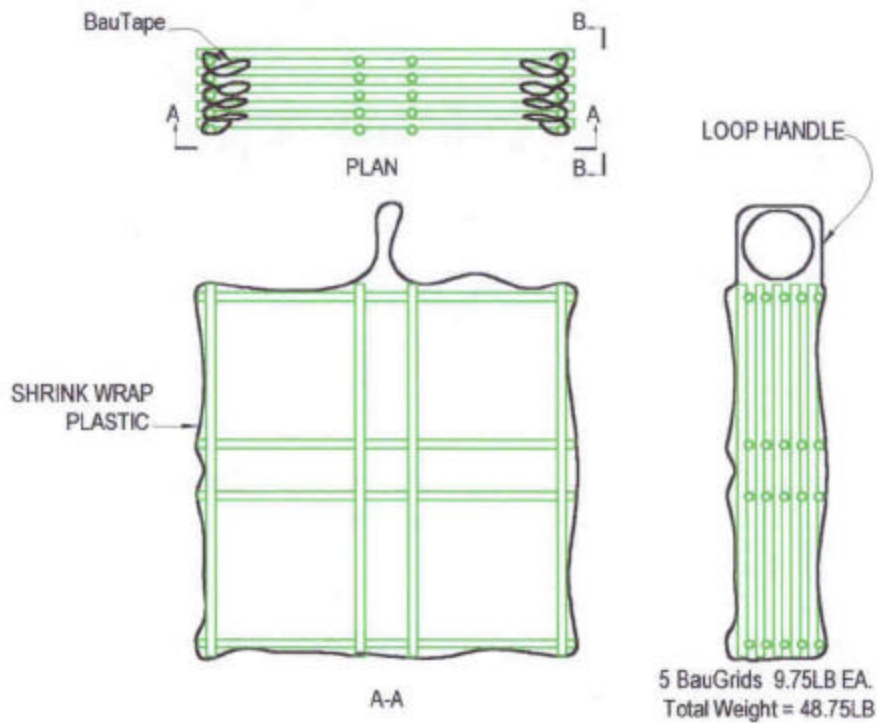
le

## BauBundler

The BauBundler has a BauMagFixture that uses magnetic force to move BauGrids into position and hold them in place at the desired spacing.

BauPositioner can then be attached to adjacent BauGrids. Also, BauMagTies can be slipped onto the BauGrids.

BauFabricForm can be attached which will act as both a form and a BauPositioner. The BauGrids can then be brought into a compact BauBundle and tagged and banded for compact shipment.



le  
2