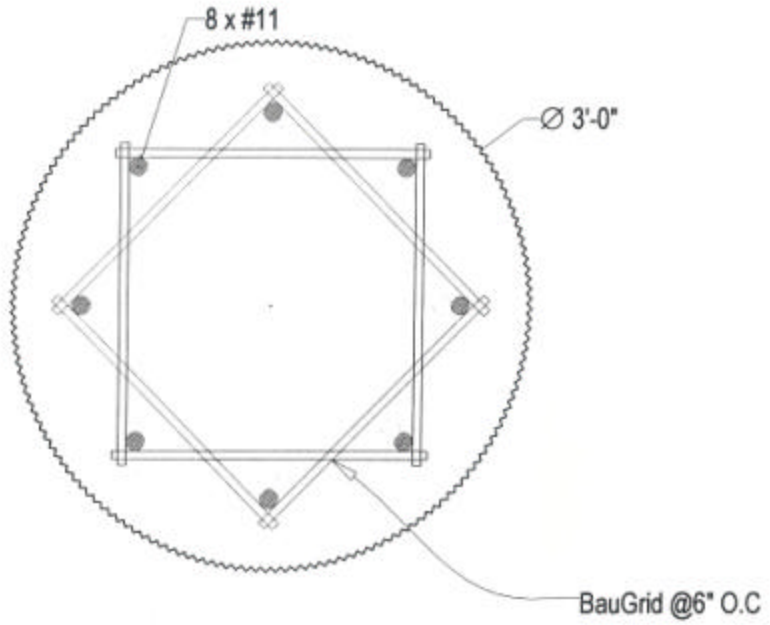


BauCaisson



The BauCaisson BauGrids have BauPositioners attached before being packaged into very compact bundles. At the site, the BauBundles are expanded and the rebar is charged and locked in place by BauClinchGrip BauGrids at four feet on center.

